

VS1550FA EDFA

Description



The standard rack-mounted VS1550FA series 1550nm EDFAs are designed to meet the high performance of fiber networks in CATV or digital systems applications. The VS1550FA series products utilize single or dual high performance 980nm pump lasers, providing 14dBm~23dBm output power with a noise figure of less than 7dB from 1540 to 1560nm. The VS1550FA series products have an embedded advanced MCU circuit embedded to monitor and control full status parameters and alarms. All parameters can be accessed through front panel LCD or RS232 interface located on the rear panel of the transmitter. The VS1550FA series products also employ a manual key switch for safety consideration during operation.

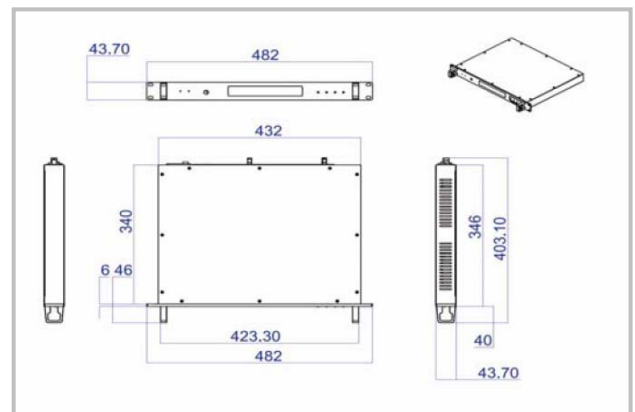
Specifications

Parameter	Unit	Specification	Note
Optical Performance			
Wavelength	nm	1540-1560	--
Input optical power	dBm	-3 to +10	--
Output port		1	--
Output optical power	dBm	14dBm to 23dBm	--
Stability	dB	+/- 0.5	--
Polarization dependent gain	dB	<0.5	--
PMD	ps	<0.5	--
Return loss	dB	>40	--
Noise figure	dB	<5(power<=20dBm) <5.5(power>20dBm)	--
Connector		SC/APC or FC/APC	
Electrical/Physical Performance			
Supply voltage	V AC	110~260	50/60 Hz
Power consumption	W	<25	--
Dimensions	mm	346D x 482W x 44H	--
Weight	Kg	6	--

Features

- Wide range of EDFA output powers: 14dBm ~ 23dBm
- Low noise figure
- High gain
- Single or dual 980nm pump amplifier design
- Reliability in high operating temperatures
- 1550nm direct optical signal amplification for multiple wavelengths
- Alarm indicators in front panel
- RS232 communication Interface
- Back light LCD window
- Suitable for CATV and digital communication systems

Dimensions [Unit:mm]

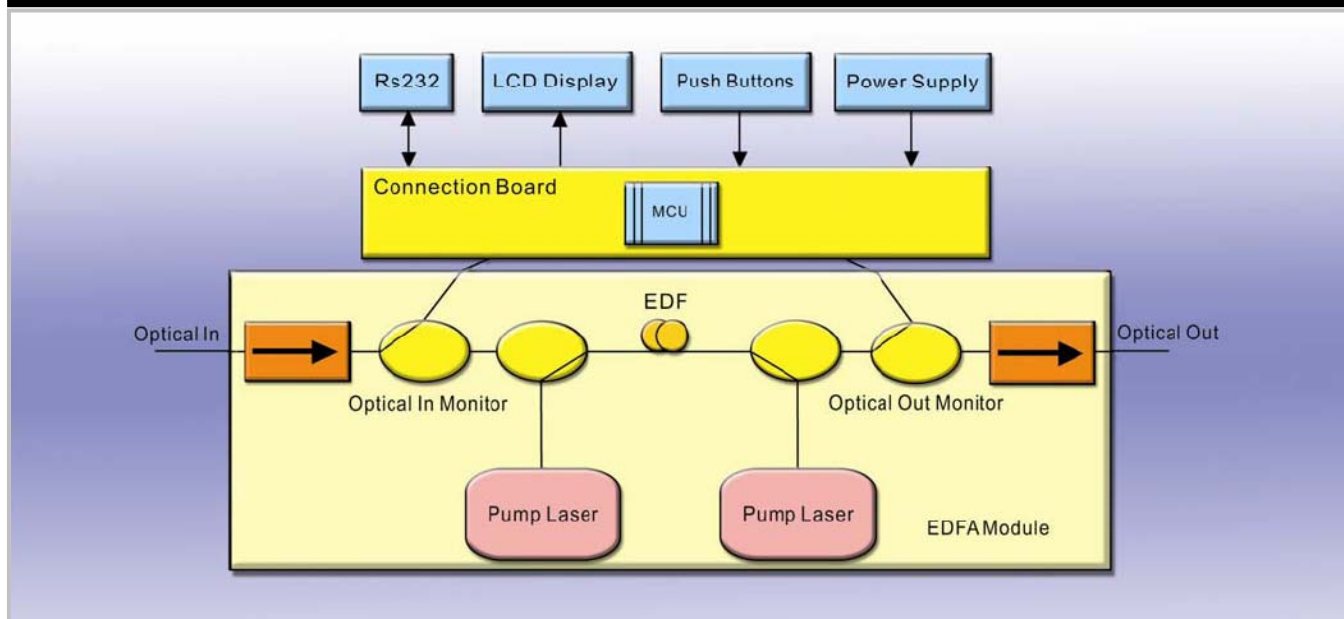


Absolute Maximum Ratings

Stresses in excess of the absolute maximum ratings can cause permanent damage to the device. These are absolute stress ratings only. Functional operation of the device is not implied at these conditions. Exposure to absolute maximum ratings for extended periods can adversely affect device reliability.

Parameter	Symbol	Unit	Min	Max
Operating temperature	Top	°C (°F)	0(32)	50(122)
Storage temperature	Tstg	°C (°F)	-20(-4)	60(140)
Humidity	H	%		85, non-condensing

Block Diagram



Ordering Information

VS1550FA	--	XX	--	XX	--	XX
		Output power: 14 = 14dBm 15 = 15dBm 16 = 16dBm 17 = 17dBm 18 = 18dBm 19 = 19dBm 20 = 20dBm 21 = 21dBm 22 = 22dBm 23 = 23dBm		Connector : SA = SC/APC FA = FC/APC		Customer specify