

VL-RRX-04 Quad Reverse Receiver

Description

The VL-RRX-04 is a CATV Return Path Receiver Module with four optical inputs. The module is implemented by a low noise PIN diode and a high output level RF amplifier. The module features four independent RF out-put ports, which are located on the rear panel of the receiver module, providing up to 45dBmV output level. Monitoring and configuration setting of the receiver module are all achieved via the front panel and VL-EMS equipment management module.



Specifications

| Parameter | Unit | Specification | Note |
|----------------------------------------|------|-------------------|------|
| Optical Performance | | | |
| Wavelength | nm | 1200-1600 | -- |
| Input port | | 4 | -- |
| Input power | dBm | -18 to 0 | -- |
| Connector | | SC/APC | -- |
| RF Performance | | | |
| Bandwidth | MHz | 5-200 | -- |
| Return loss | -dB | ≥18 | -- |
| Flatness | dB | +/-0.75 | -- |
| Impedance | ohm | 75 | -- |
| Output level | dBmV | ≥45 | 1 |
| Test point | dB | -20+/-0.75 | -- |
| CNR | dB | ≥50 | 1 |
| CSO | -dBc | ≥55 | 2 |
| CTB | -dBc | ≥60 | 2 |
| MGC | dB | 0 to -20 | -- |
| Connector | | F-female | -- |
| Electrical/Physical Performance | | | |
| Supply voltage | VDC | 24 | -- |
| Power consumption | W | <10 | -- |
| Dimensions | mm | 395D x 24W x 128H | -- |
| Weight | Kg | 1.2 | -- |

Features

- Four independent return path receivers in a single module
- Hot-swap capability
- Bandwidth 5~200MHz
- 45dBmV output level
- -18 to 0dBm input optical power
- Manual attenuation control
- RF output test point

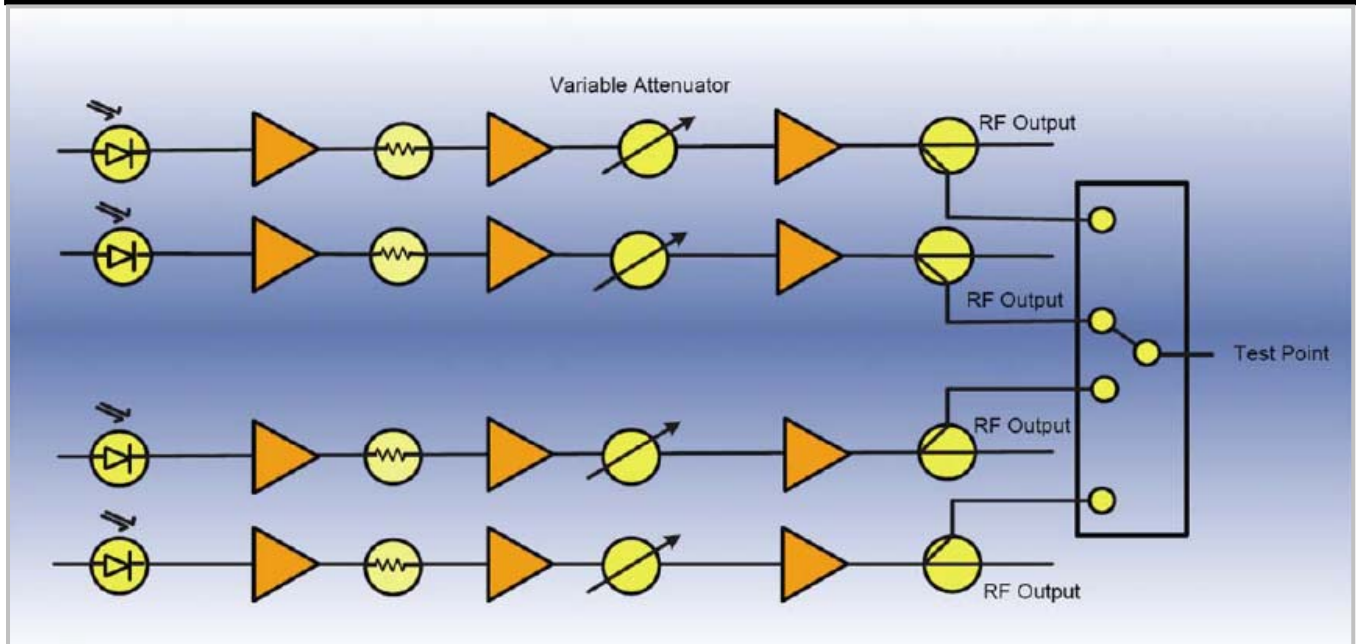
1.-7dBm optical input , OMI=16% , 0dB attenuation setting
 2.45dBmV output , two tone test , f1=13MHz , f2=19MHz

Absolute Maximum Ratings

Stresses in excess of the absolute maximum ratings can cause permanent damage to the device. These are absolute stress ratings only. Functional operation of the device is not implied at these conditions. Exposure to absolute maximum ratings for extended periods can adversely affect device reliability.

| Parameter | Symbol | Unit | Min | Max |
|-----------------------|--------|------|-----|--------------------|
| Operating temperature | Top | °C | 0 | 50 |
| Storage temperature | Tstg | °C | -40 | 70 |
| Humidity | H | % | | 85, non-condensing |

Block Diagram



Ordering Information

| | | |
|-----------|----|------------------|
| VL-RRX-04 | -- | XX |
| | | Customer specify |